

DS-2DE2C400MWG/W 4 MP Smart Hybrid Light Mini PT Network Camera



Hikvision DS-2DE2C400MWG/W 4 MP PT Network Camera is ideal for indoor HD monitoring in small businesses and offices and for close range monitoring in warehouses, lobbies, server rooms, garages, etc.

- High quality imaging with 4 MP resolution
- Support Wi-Fi 6
- Smart Hybrid Light: advanced technology with long range
- Built-in microphone and speaker, support two-way audio
- Support Human Detection and Auto-tracking Lite
- Water and dust resistant (IP66)

▪ Specification

Camera	
Image Sensor	1/2.7" Progressive Scan CMOS
Max. Resolution	2560 × 1440
Min. Illumination	Color: 0.005 Lux @ (F1.6, AGC ON), B/W: 0.001Lux @ (F1.6, AGC ON), 0 Lux with IR
Lens	
Focal Length	2.8 mm, 4 mm
FOV	2.8 mm, horizontal FOV 94°, vertical FOV 49°, diagonal FOV 114°, 4 mm, horizontal FOV 70°, vertical FOV 35°, diagonal FOV 85°
Aperture	F1.6
Illuminator	
Supplement Light Type	IR, White Light
Supplement Light Range	IR distance: up to 25 m, White light distance: up to 25 m
IR Wavelength	850 nm
PTZ	
Movement Range (Pan)	0° to 345°
Movement Range (Tilt)	0° to 80°
Pan Speed	Up to 25°/s
Tilt Speed	Up to 20°/s
Power-off Memory	Yes
Video	
Main Stream	50 Hz: 20 fps (2560 × 1440, 1920 × 1080, 1280 × 720) 60 Hz: 20 fps (2560 × 1440, 1920 × 1080, 1280 × 720)
Sub-Stream	50 Hz: 20 fps (768 × 432) 60 Hz: 20 fps (768 × 432)
Video Compression	H.265, H.264, MJPEG
Video Bit Rate	32 Kbps to 8 Mbps
H.264 Type	Baseline Profile/Main Profile/High Profile
H.265 Type	Main Profile
Audio	
Audio Compression	G.711ulaw/AAC-LC
Audio Bit Rate	AAC-LC: 16 Kbps, 32 Kbps, 64 Kbps G.711ulaw: 64 Kbps
Audio Sampling Rate	8 kHz/16 kHz
Environment Noise Filtering	Yes
Network	
Protocols	IPv4/IPv6, HTTP, QoS, SMTP, NTP, RTSP, RTP, RTCP, TCP/IP, UDP, DHCP, Bonjour, SNMP, DNS, DDNS
API	ONVIF (Profile S, Profile G, Profile T), ISAPI, SDK
User/Host	Up to 32 users 3 user levels: administrator, operator, and user
Security	Password protection, complicated password, watermark, basic and digest authentication for HTTP, WSSE and digest authentication for Open Network Video Interface, security audit log, host authentication (MAC address)

Client	Wired network: Hik-Connect, iVMS-4200 Wi-Fi: iVMS-4200 *Wi-Fi connection with Hik-Connect directly is not possible
Wireless (Wi-Fi)	
Wi-Fi Protocols	IEEE802.11b, IEEE802.11g, IEEE802.11n, IEEE802.11ax
Frequency Range	2.4 GHz to 2.4835 GHz
Channel Bandwidth	20/40 MHz
Image	
Image Settings	Saturation, brightness, contrast, and sharpness adjustable by client software or web browser
Wide Dynamic Range (WDR)	Digital WDR
Image Enhancement	BLC, HLC, 3D DNR
Privacy Mask	4 programmable rectangle privacy masks
Interface	
Ethernet Interface	1 RJ45 10M/100M self-adaptive Ethernet port
Built-in Microphone	1 built-in microphone
On-board Storage	Built-in memory card slot, support microSD/microSDHC/microSDXC card, up to 512 GB
Built-in Speaker	1 built-in speaker
Event	
Basic Event	Motion detection (support alarm triggering by specified target types (human and vehicle)), video tampering alarm, exception
Linkage	Notify surveillance center, send email, trigger recording, trigger capture, audible warning
General	
Power	12 VDC \pm 25%, reverse polarity protection, 0.75 A, max. 9 W, \varnothing 5.5 mm coaxial power plug *A switching adapter is included in the package.
Dimension	131.9 mm \times 163.9 mm \times 312.6 mm (5.19" \times 6.45" \times 12, 31")
Weight	Weight: 600 g (1.32 lb.) With Package Weight: 900 g (2.0 lb.)
Material	Plastic
Operating Condition	-30 $^{\circ}$ C to 40 $^{\circ}$ C (-22 $^{\circ}$ F to 104 $^{\circ}$ F). Humidity 95% or less (non-condensing)
General Function	Heartbeat, anti-banding, mirror, password protection, password reset via email
Language	English, Ukrainian
Approval	
Protection	IP66 (IEC 60529-2013)

▪ Typical Application

Hikvision products are classified into three levels according to their anti-corrosion performance. Refer to the following description to choose for your using environment.

This model has NO SPECIFIC PROTECTION.

Level	Description
Top-level protection	Hikvision products at this level are equipped for use in areas where professional anti-corrosion protection is a must. Typical application scenarios include coastlines, docks, chemical plants, and more.
Moderate protection	Hikvision products at this level are equipped for use in areas with moderate

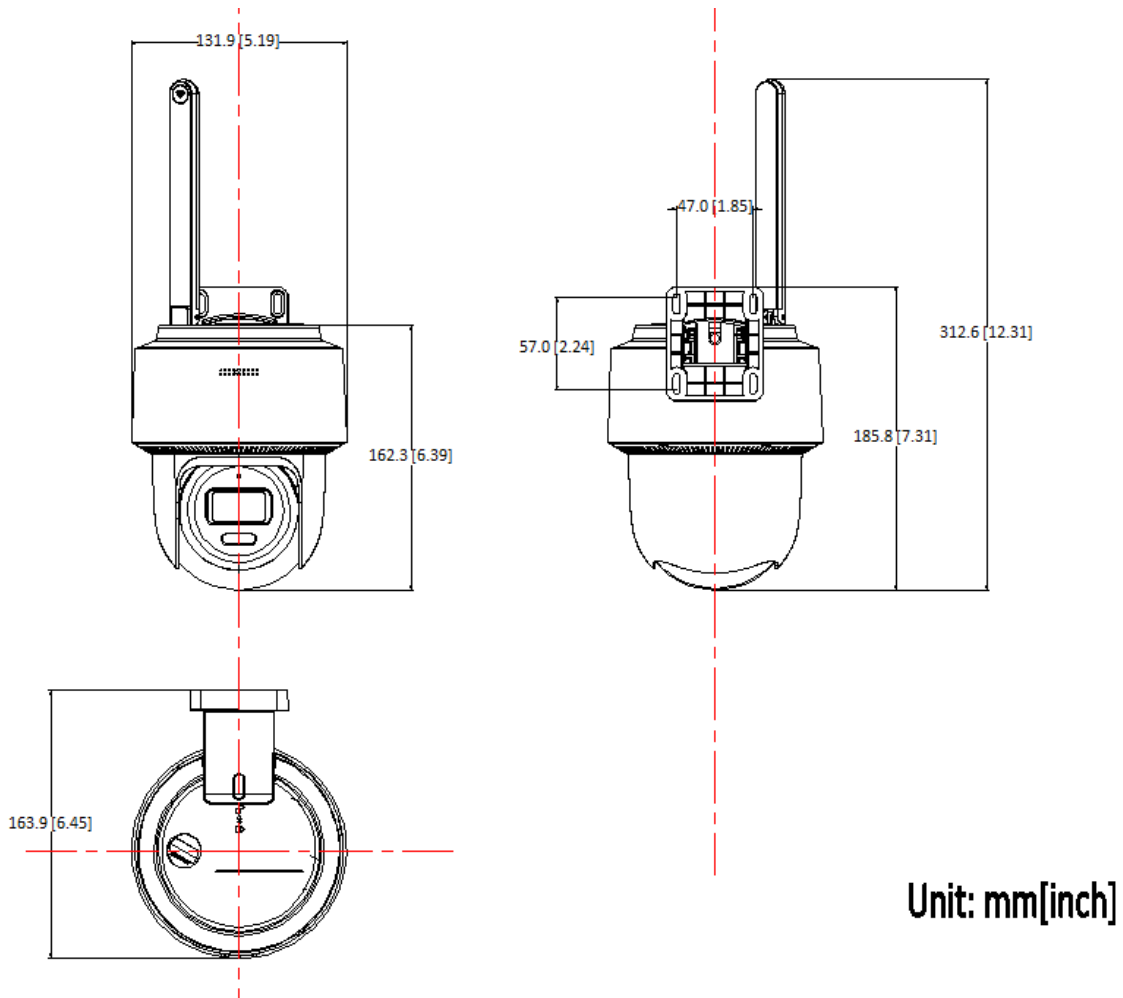
	anti-corrosion demands. Typical application scenarios include coastal areas about 2 kilometers (1.24 miles) away from coastlines, as well as areas affected by acid rain.
No specific protection	Hikvision products at this level are equipped for use in areas where no specific anti-corrosion protection is needed.

▪ **Available Model**

DS-2DE2C400MWG/W(2.8mm)

DS-2DE2C400MWG/W(4mm)

▪ **Dimension**



See Far, Go Further



www.hikvision.com
support@hikvision.com

