

# powerswitch<sup>®</sup>

## Non-Metallic Disconnect Switches

30/32 A Non-Fused with Inform<sup>™</sup> Technology  
30/32 A, 60 A, 100 A Fused and Non-Fused



LABELLESS DESIGN!

30/32 A Disconnects  
now available with  
 inform<sup>™</sup> Technology



Sensors embedded into 30/32 A devices monitor data that can be communicated locally and remotely

### FEATURES:

- IP69K, IP66/IP67/IP68/ IP69 and UL50E Type 3R, 4, 4X, 6P, 12, 13
- Operating temperature range from -40°C to 75°C (-40°C to 65°C for Inform units)



# Built To Last!



Watertight, dust-tight, submersible and suitable for high pressure, high temperature washdown



Mounting feet attachment does not require drilling into the enclosure and can be adjusted for several angles

Captive, triple head cover screws constructed of stainless steel



Handle accommodates 3 padlocks for OSHA compliant lockout/tagout



NSF Certified for use in food & beverage processing areas

Overmolded handle with longer length for improved grip and durability



Compact enclosure size for installation versatility



Leviton safety disconnect switches are certified to NSF International hygiene requirements for food & beverage processing to help ensure public health and safety. Manufacturers, regulators and consumers look to NSF International for the development of public health standards and certification programs that help protect the world's food, water, consumer products and environment.



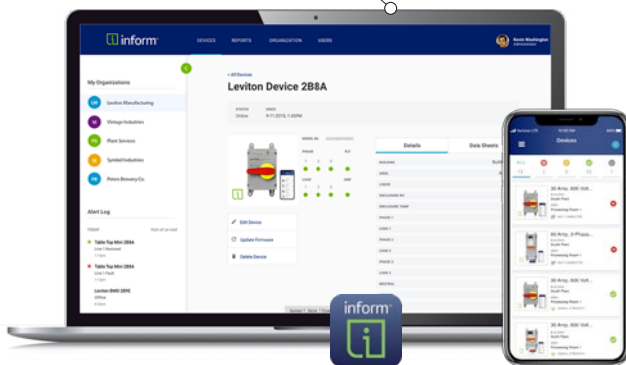
Real-time diagnostics help to reduce unplanned downtime



Communicate via Wi-Fi or Modbus RTU



View data on the Inform app...



Know what's going on inside your devices without having to open them! By having a live view of operating conditions 24/7, you can view data like

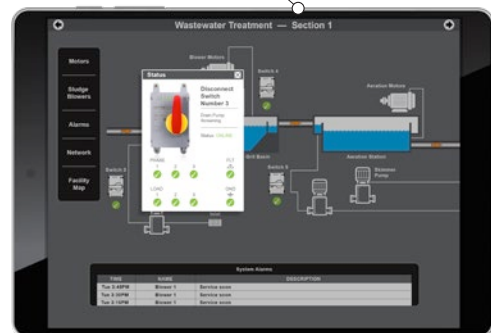
- Individual line- and load-side voltage values
- Ground continuity
- Liquid accumulation due to improper installation or condensation
- Enclosure temperature
- Enclosure humidity and more!



Already have a Leviton LDS30 disconnect? Upgrade your facility with our Inform replacement covers.



...or on your facility's existing automation system



# Specifications











Description		NON-FUSED DISCONNECTS			FUSED DISCONNECTS		
Catalog Number	LDS30-AX, LDS30-AC, LDS30-AXC, LDS30-ACC, LDS30-AXS, LDS30-ACS, LDS30-MB & LDS30-AMB	LDS60-AX & LDS60-AC	LDS10-AX & LDS10-AC	LDS30-FAX	LDS60-FAX	LDS10-FAX	
<b>Electrical Specifications</b>							
Amperage	30/32 A	60 A	100 A	30 A	60 A	100 A	
Max Voltage	600 VAC	600 VAC	600 VAC	600 VAC	600 VAC	600 VAC	
Horsepower	SINGLE PHASE	110 V AC; 2 HP	110 V AC; 2 HP	110 VAC; 7.5 HP	110 VAC; 2 HP	110 V AC; 2 HP	110 V AC; 5 HP
		208 to 240 VAC; 5 HP	208 to 240 VAC; 10 HP	208 to 240 VAC; 20 HP	208 to 240 VAC; 3 HP	208 to 240 VAC; 7.5 HP	208 to 240 VAC; 15 HP
		480 VAC; 5 HP	480 VAC; 10 HP	480 VAC; 30 HP	480 VAC; 3 HP	480 VAC; 7.5 HP	480 VAC; 15 HP
	THREE PHASE	600 VAC; 5 HP	600 VAC; 10 HP	600 VAC; 30 HP	600 VAC; 3 HP	600 VAC; 7.5 HP	600 VAC; 15 HP
		208 to 240 VAC; 10 HP	208 to 240 VAC; 20 HP	208 to 240 VAC; 40 HP	208 to 240 VAC; 7.5 HP	208 to 240 VAC; 15 HP	208 to 240 VAC; 30 HP
		480 VAC; 20 HP	480 VAC; 40 HP	480 VAC; 60 HP	480 VAC; 15 HP	480 VAC; 30 HP	480 VAC; 60 HP
	600 VAC; 25 HP	600 VAC; 40 HP	600 VAC; 50 HP	600 VAC; 20 HP	600 VAC; 50 HP	600 VAC; 75 HP	
Current Interrupting	Certified for full-rated current and voltage						
Dielectric Voltage	1,000 V plus twice rated voltage for 1 minute						
Minimum Electrical Endurance	6,000 operating cycles at rated current and voltage						
Mechanical Endurance	20,000 Operations (10,000 Operation Cycles)						
Short Circuit Current Rating (SCCR)	10 kA; Fuse Type J; Fuse Size 60A	100 kA; Fuse Type J; Fuse Size 100A	65 kA; Fuse Type J; Fuse Size 100A	200 kA; Fuse Type J; Fuse Size 30A	200 kA; Fuse Type J; Fuse Size 60A	200 kA; Fuse Type J; Fuse Size 100A	
<b>Environmental Specifications</b>							
Flammability	UL94V-0	UL94V-0	UL94V-0	UL94V-0	UL94V-0	UL94V-5VA/VO	
Operating Temperature*	-40°C to 75°C (-40°C to 65°C for Inform units)						
UV Resistance	Exposed materials are UV stabilized						
Water/Moisture Resistance	NEMA/UL 50E Type 3R, 4, 4X, 6, 6P, 12, 13 IEC IP66, IP67, IP68, IP69, IP69K	NEMA/UL 50E Type 3R, 4, 4X, 6, 6P, 12, 13 IEC IP66, IP67, IP68, IP69, IP69K	NEMA/UL 50E Type 3R, 4, 4X, 6, 6P, 12, 13 IEC IP66, IP67, IP68, IP69, IP69K	NEMA/UL 50E Type 3R, 4, 4X, 6, 6P, 12, 13 IEC IP66, IP67, IP68, IP69, IP69K	NEMA/UL 50E Type 3R, 4, 4X, 6, 6P, 12, 13 IEC IP66, IP67, IP68, IP69, IP69K	NEMA/UL 50E Type 1, 3R, 4, 4X, 12 IEC IP66, IP67, IP68	
Impact Resistance	Meet UL746C						
<b>Material Specifications</b>							
Enclosure	PBT+PC	PBT+PC	PBT+PC	PBT+PC	PBT+PC	Polycarbonate (PC)	
Handle	PBT+PC with TPE Overmold						
Enclosure Screws	Stainless Steel						
Enclosure Gasket	Silicone Rubber	Silicone Rubber	Silicone Rubber	Silicone Rubber	Silicone Rubber	Polyurethane Foam	
Mounting Feet	PBT+PC	PBT+PC	PBT+PC	PBT+PC	PBT+PC	Polycarbonate (PC)	
<b>Mechanical Specifications</b>							
Terminal Identification	In accordance with UL and international conventions						
Product Identification	Ratings are permanently marked on device						
Terminal Accom. Switch	AWG #18-8	AWG #14-4	AWG #8-1/0	AWG#18-8	AWG #14-4	AWG #14-2/0	
Terminal Accom. Terminal Blocks Neutral	AWG #24-8	AWG #16-1/0	AWG #16-1/0	AWG #24-8	AWG #16-1/0	AWG #6-2/0	
Terminal Accom. Terminal Blocks Earth Ground	AWG #26-8	AWG #16-2	AWG #16-2	AWG #26-8	AWG #16-2	AWG #16-2	
<b>Standards &amp; Certifications</b>							
NSF	14159-1, Hygienic Requirement for the Design of Meat & Poultry Processing Equipment						
NEMA	NEMA 250						
UL Standard	cULus UL60947-4-1A (Suitable as Motor Disconnect)	cULus UL60947-4-1A (Suitable as Motor Disconnect)	cULus UL60947-4-1A (Suitable as Motor Disconnect)	UL98 (Suitable for Motor Circuits)	UL98 (Suitable for Motor Circuits)	UL98 (Suitable for Motor Circuits)	
CSA Standard	—	—	—	CSA C22.2 No. 4-04	CSA C22.2 No. 4-04	CSA C22.2 No. 4-04	
NOM	NOM-ANCE Certified						
IEC	IEC 60529						
ISO	ISO 20653						
CE	CE Marked (non-Inform units only)						
<b>Warranty</b>							
Product Warranty	3 Year Limited Warranty						

\* Derating may apply

# Ordering Information









## Disconnect Switches with inform™

Description	Catalog Number
30/32 A, Non-Fused with Inform, Remote Monitoring (Wi-Fi) 	LDS30-AXC 
30/32 A, Non-Fused with Inform, Remote Monitoring (Wi-Fi) with Auxiliary Contact 	LDS30-ACC 
30/32 A, Non-Fused with Inform	LDS30-AXS 
30/32 A, Non-Fused with Inform with Auxiliary Contact	LDS30-ACS 
30/32 A, Non-Fused with Inform, Remote Monitoring (Modbus RTU) 	LDS30-MB 
30/32 A, Non-Fused with Inform, Remote Monitoring (Modbus RTU) with Auxiliary Contact 	LDS30-AMB 

## Disconnect Switches

Description	Catalog Number
30/32 A, Non-Fused	LDS30-AX
30/32 A, Non-Fused with Auxiliary Contact	LDS30-AC
30/32 A, Fused	LDS30-FAX
60 A, Non-Fused	LDS60-AX
60 A, Non-Fused with Auxiliary Contact	LDS60-AC
60 A, Fused	LDS60-FAX
100 A, Non-Fused	LDS10-AX
100 A, Non-Fused with Auxiliary Contact	LDS10-AC
100 A, Fused	LDS10-FAX

## Accessories

Description	Catalog Number
30/32 A, Non-Fused, Replacement Cover for Inform 	LDS30-RCS 
30/32 A, Non-Fused, Replacement Cover for Inform (Wi-Fi) 	LDS30-RCC 
30/32 A, Non-Fused, Replacement Cover for Inform (Modbus RTU) 	LDS30-RCM 
Non-Fused Auxiliary Contact, Normally Open, 30/32, 60 and 80 A	AUXNO
Non-Fused Auxiliary Contact, Normally Closed, 30/32, 60 and 80 A	AUXNC-NF
Non-Fused Auxiliary Contact, Early Break, 100 A	AUXNO-NF1
Fused Auxiliary Contact, Normally Open, 30/32 A	AUXNO-F1
Fused Auxiliary Contact, Normally Closed, 30/32 A	AUXNC-F1
Fused Auxiliary Contact, Normally Open, 60 and 100 A	AUXNO-F2
Fused Auxiliary Contact, Normally Closed, 60 and 100 A	AUXNC-F2

Description	Catalog Number
30/32 A Replacement Non-Fused Switch	30ASW
60 and 80 A Replacement Non-Fused Switch	6080A-NF
100 A Replacement Non-Fused Switch	100SW-NF
30/32 A Replacement Fused Switch	30ASW-F
60 A Replacement Fused Switch	60ASW-F
100 A Replacement Fused Switch	100SW-F
Watertight Conduit Hub, Die-Cast Zinc, ¾"	HUB-34
Watertight Conduit Hub, Die-Cast Zinc, 1"	HUB-100
Watertight Conduit Hub, Die-Cast Zinc, 1 ¼"	HUB-114
Watertight Conduit Hub, Die-Cast Zinc, 1 ½"	HUB-112
Watertight Conduit Hub, Die-Cast Zinc, 2"	HUB-200
Watertight Conduit Hub, Stainless Steel, ¾"	SSHUB
Mounting Feet	MOUNT-LDS
Replacement Overmold Handle	HNDLE

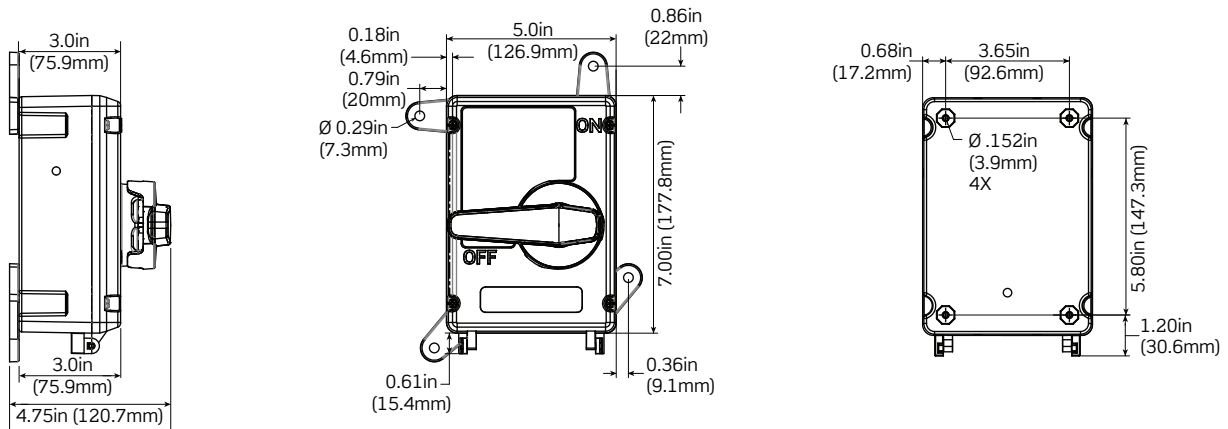
NOTE: Separate mounting bracket needed for attaching fused auxiliary contacts to switch. Contact Customer Service for availability.

 = Wi-Fi Communication

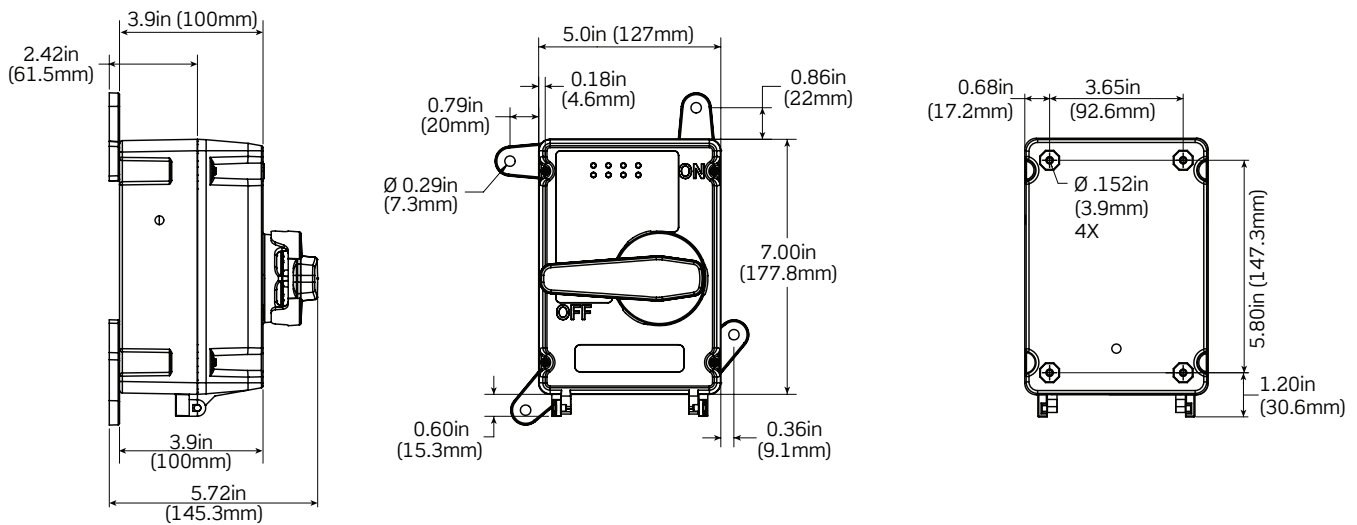
 = Modbus RTU Communication

# Dimensions

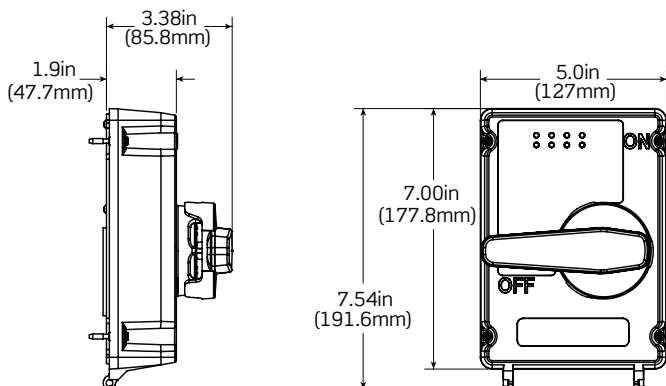
## LDS30-AX & LDS30-AC



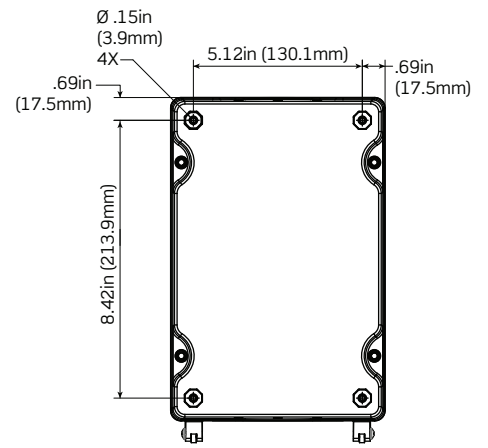
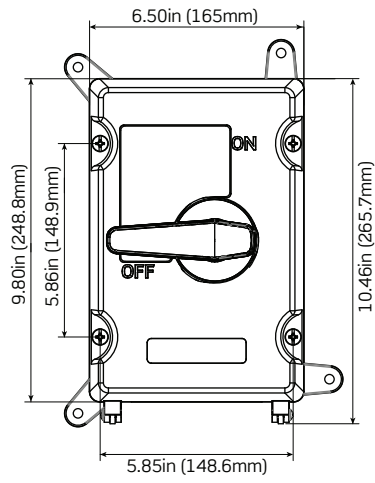
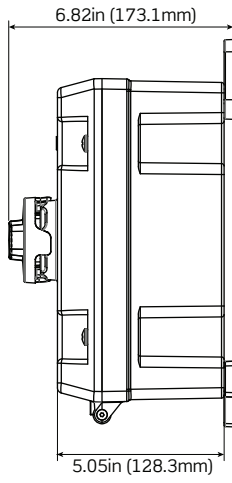
## LDS30-AXC, LDS30-ACC, LDS30-AXS, LDS30-ACS, LDS30-MB, & LDS30-AMB



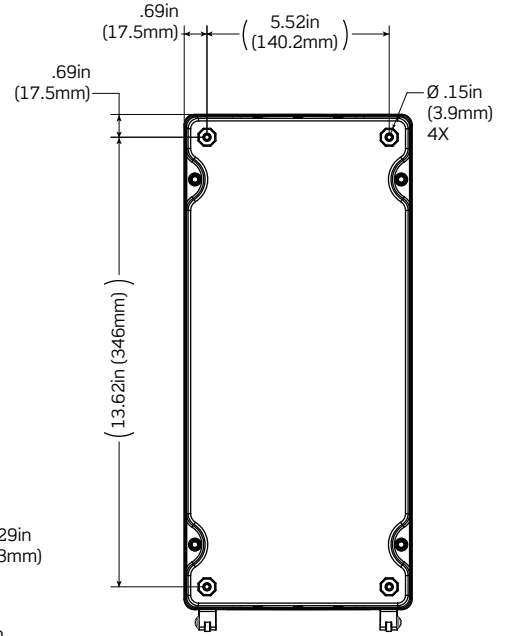
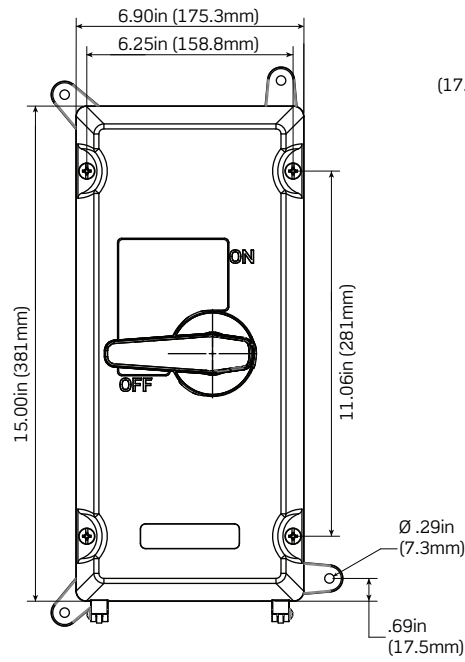
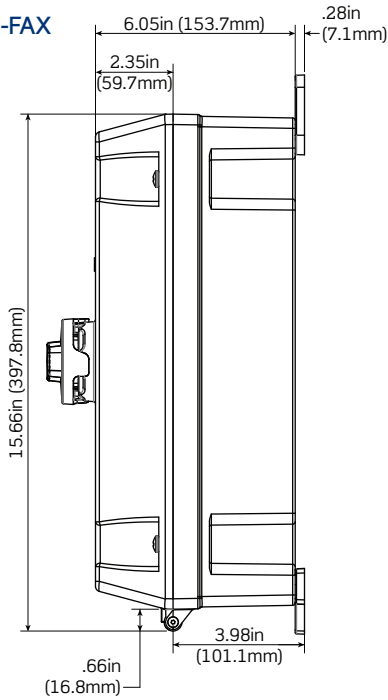
## LDS30-RCS, LDS30-RCC, LDS30-RCM (Covers Only)



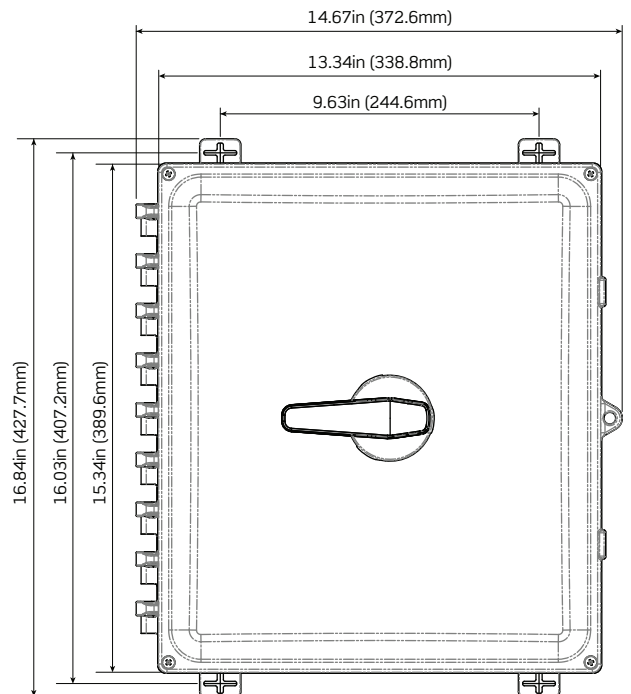
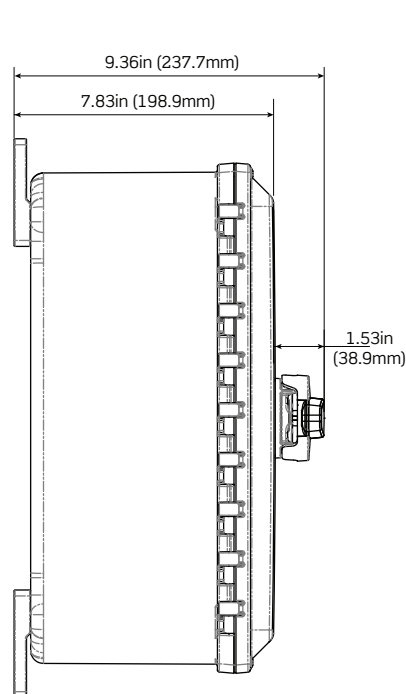
LDS30-FAX,  
LDS60-AX,  
LDS60-AC,  
LDS10-AX &  
LDS10-AC



LDS60-FAX



LDS10-FAX



# powerswitch<sup>®</sup>

## Industrial Switches & Motor Controls

Designed for the most extreme environments, we know how important it is to ensure safe and reliable electrical performance that will decrease downtime, while providing protection from washdown and corrosion to keep your facility running smoothly.



**PERFORMANCE MATTERS.**

Visit our Website at:  
[www.leviton.com/disconnects](http://www.leviton.com/disconnects)  
email: [industrial@leviton.com](mailto:industrial@leviton.com)  
Q-1049C

**Leviton Manufacturing Co., Inc.**  
201 N Service Rd, Melville, NY 11747  
Telephone: 1-800-323-8920 • FAX: 1-800-832-9538  
Tech Line: 1-800-824-3005 (M-F 8AM-10PM; Sat 9AM-7PM; Sun 9AM-5PM)  
© 2021 Leviton Manufacturing Co., Inc. All rights reserved. 090121

